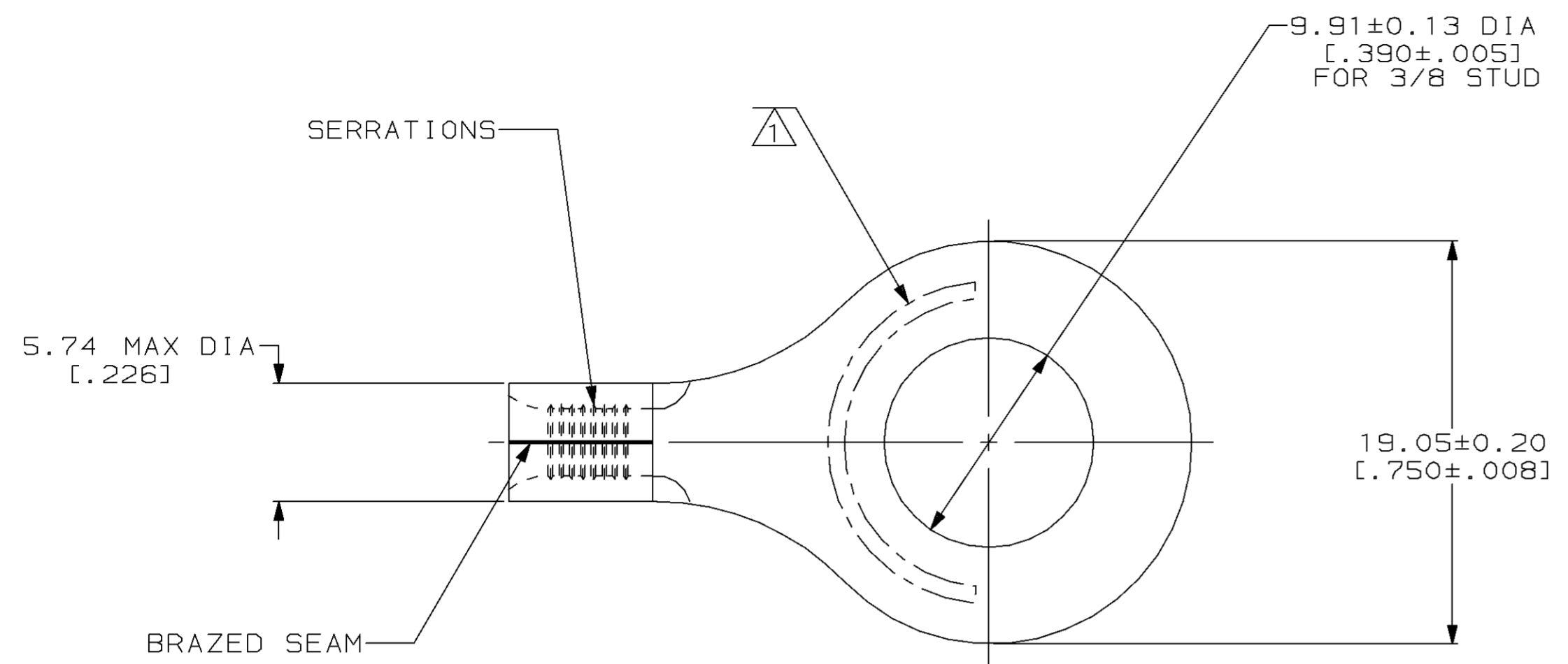


THIS DRAWING IS UNPUBLISHED. RELEASED FOR PUBLICATION, 19 .  
 © COPYRIGHT 19 BY AMP INCORPORATED. ALL INTERNATIONAL RIGHTS RESERVED.

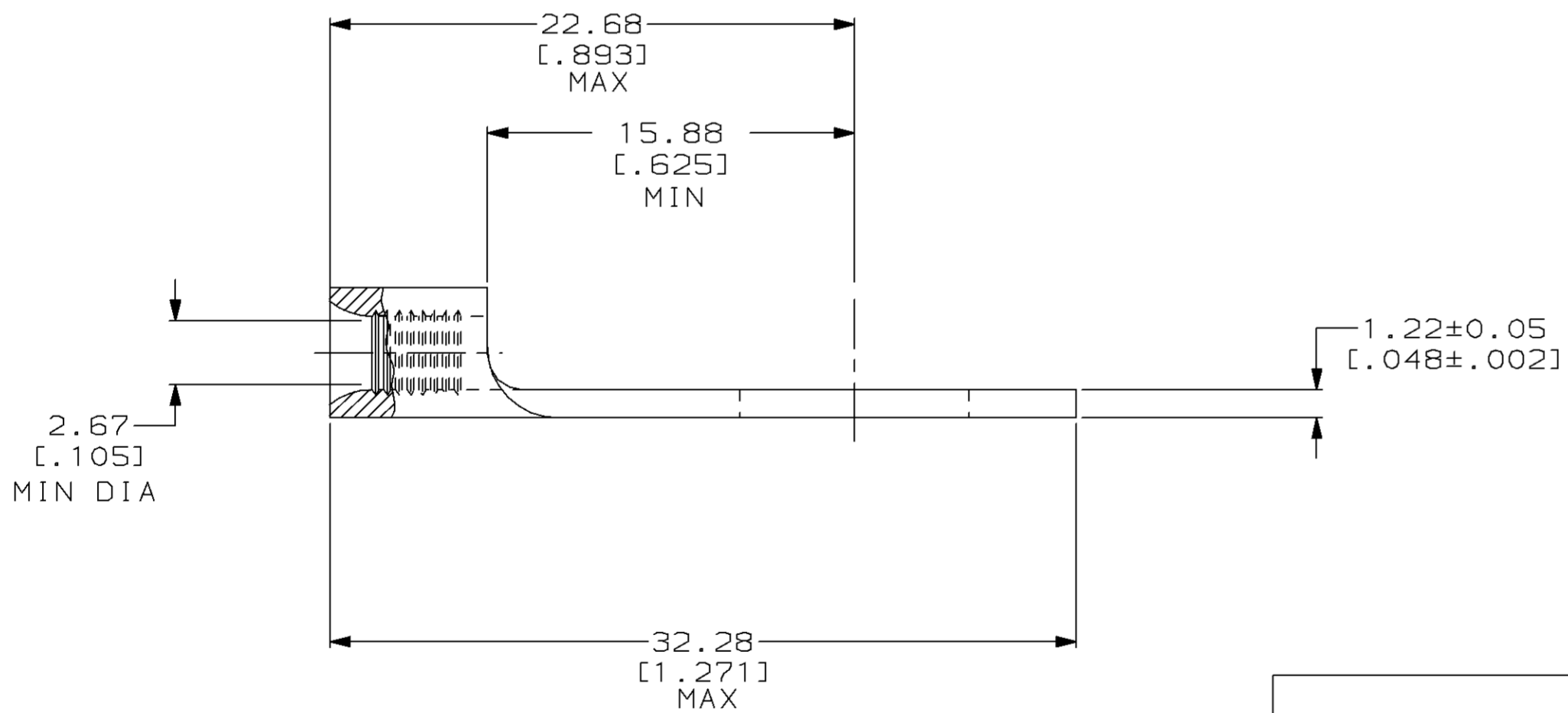
LOC		DIST		REVISIONS				DATE	APPD
P	F	ZONE	LTR	DESCRIPTION					
G	14			B	REV & REDRAWN PER 0720-0040-93		3-17-93	DA P	

**METRIC**  
 DIMENSIONS LISTED IN mm [ INCHES ]



<b>AMP</b> WIRE RANGE	<b>UL</b> E13288 Listed
16-14HD AWG SOLID OR STRANDED	16-14HD AWG STRANDED
<b>SR</b> LR7189 Certified	MILITARY P/N AND CLASS
16-14HD AWG SOLID OR STRANDED	NOT APPLICABLE

① STAMP AMP 16-14HD\* APPROX AS SHOWN



**AMP INCORPORATED**  
**CUSTOMER SERVICE SYSTEMS**

FOR ADDITIONAL PRODUCT INFORMATION OR COPIES OF DRAWINGS AND TECHNICAL DOCUMENTS	PRODUCT INFORMATION CENTER 1-800-522-6752
FOR APPLICATION TOOLING INFORMATION	TOOLING ASSISTANCE CENTER 1-800-722-1111
FOR ORDER ENTRY	1-800-526-5142

MAX RECOMMENDED OPERATING TEMPERATURE:  
 170°C MAX

VOLTAGE RATING:  
 NOT APPLICABLE

WIRE CROSS SECTIONAL AREA RANGE:  
 1.04-2.62mm<sup>2</sup> [2,050-5,180] CIR MILS  
 SOLID OR STRANDED

THIS DRAWING IS A CONTROLLED DOCUMENT FOR AMP INCORPORATED. IT IS SUBJECT TO CHANGE AND THE CONTROLLING ENGINEERING ORGANIZATION SHOULD BE CONTACTED FOR THE LATEST REVISION.

DO NOT SCALE PRINT. UNLESS SPECIFIED DIMENSIONS IN mm [INCHES] - TOLERANCES ON:	DR 3-17-93 TA BRINKMAN
2 PLC DEC ± -	CHK 3-17-93 DA PATTERSON
3 PLC DEC ± -	APPD 3-17-93 DE MILLER
ANGLES ± -	APPD 3-17-93 JL MECKLEY
MATERIAL COPPER PER ASTM B-152 ANNEALED	PRODUCT SPEC -
FINISH TIN PLATE 0.00254 [0.00100] MIN THK PER MIL-T-10727	APPLICATION SPEC -
	WEIGHT -

327732		PART NO	
<p><b>AMP</b> AMP Incorporated                  Harrisburg, PA 17105-3608</p>			
NAME TERMINAL, RING TONGUE, HEAVY DUTY, SOLISTRAND™			
SIZE ③	CAGE CODE 00779	DRAWING NO ③=327732	
SCALE 4:1	SHEET 1 OF 1		